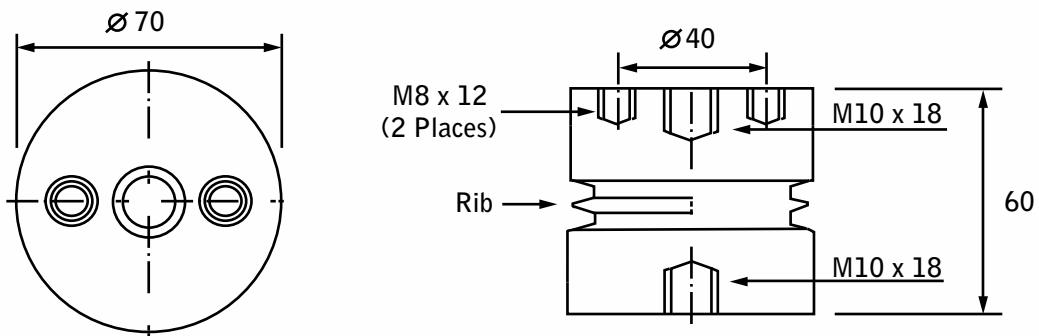
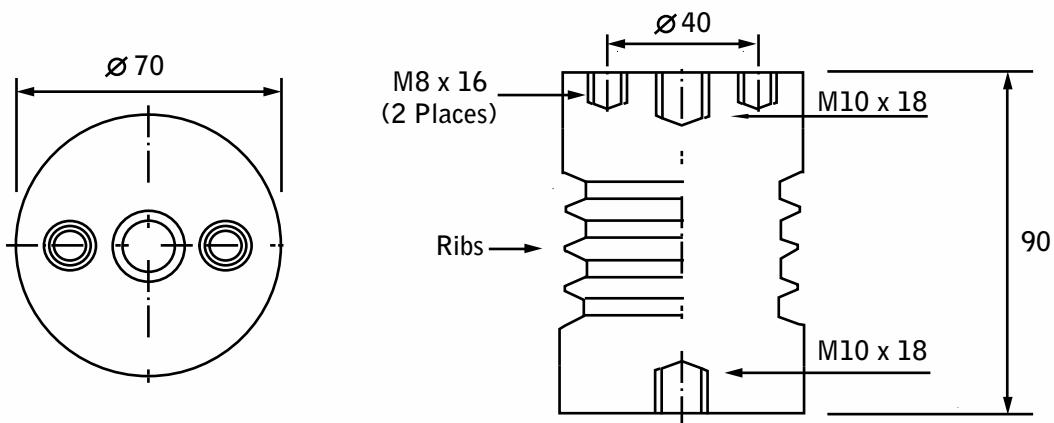


# Insulators - High Voltage - 3.3 - 6.6KV

Compression moulded glass reinforced polymer material



Product Code	Item Name	Rated Voltage	Bil
HV3M	INSUL H.V.3.3KV	3.3KV	60KV



Product Code	Item Name	Rated Voltage	Bil
HV6M	INSUL H.V.6.6KV	6.6KV	75KV