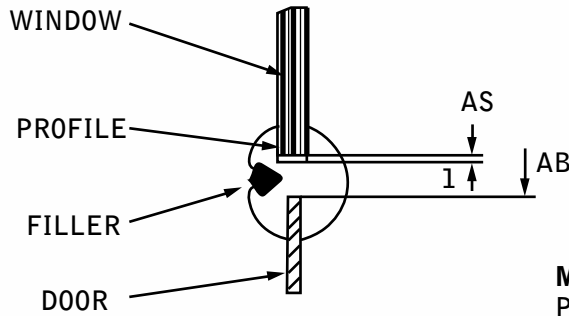




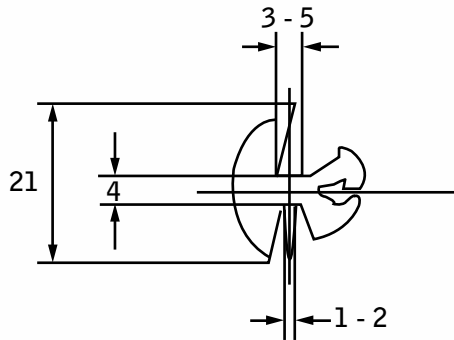
# Window Seal



AS = Size of window  
 AB = Size of cut-out

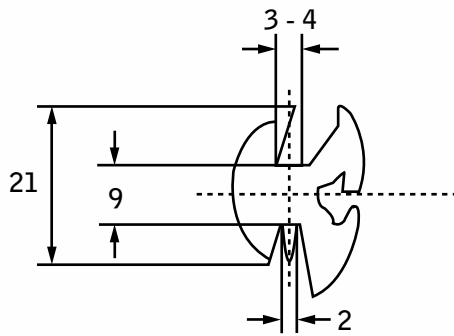
**MATERIAL: EPDM**  
 Profile: Rubber 80 shore A  
 Filler: Rubber 85 shore A

Product Code:  
 6400 - 414



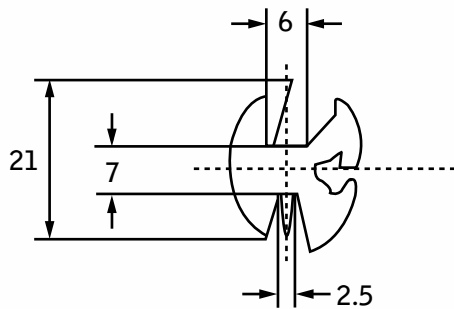
Bending Radius min. 30  
 $AB = AS + 10$   
**SEAL: WS414**  
**FILLER: WSFILLER**  
 30m Coil

Product Code:  
 6400 - 421



Bending Radius min. 70  
 $AB = AS + 16$   
**SEAL: WS421**  
**FILLER: WSFILLER**  
 30m Coil

Product Code:  
 6400 - 621



Bending Radius min. 70  
 $AB = AS + 16$   
**SEAL: WS621**  
**FILLER: WSFILLER**  
 30m Coil

\*Tool for Insertion: 6400-901